

DNS | DOUBLE ACTING NUT SPLITTERS

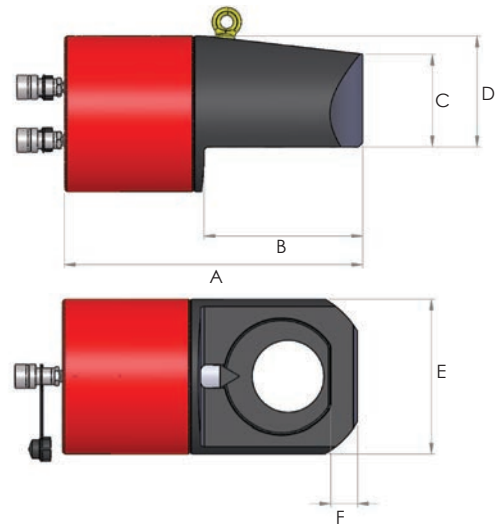


- ▶ Double acting hydraulic piston for easy extension and retraction of the blade
- ▶ Angled body design for increased clearance on flanges and flat surfaces
- ▶ High quality steel construction
- ▶ Suitable for splitting nuts up to RC44 hardness
- ▶ Designed to fit on most API and ANSI flanges
- ▶ Steel linkage keeps blade cutting edge parallel to the nut throughout the splitting process

Nut AF sizes from 2 15/16" to 5 3/8"

Bolt sizes from 1 7/8" to 3 1/2"

Working pressure 10000 psi



Model number	Capacity (tons)	Oil capacity (in³)	Hexagon AF sizes		Stud bolt thread sizes		Weight (lbs)	Dimensions (in)					
			inch	mm	imperial	metric		A	B	C	D	E	F
DNS404	131.8	48.56	2 15/16" - 4 1/4"	75 - 105	1 7/8" - 2 3/4"	M48 - M72	110.2	14.95	7.56	3.92	5.14	7.21	1.34
DNS506	224.2	92.11	4 1/4" - 5 3/8"	105 - 136	2 3/4" - 3 1/2"	M72 - M95	211.6	17.77	9.46	5.52	6.6	9.26	1.62

Note: DNS nut splitters are for use on heavy duty nuts, where the nut height is equal to or greater than two-thirds of the blade length of the tool being used. Please check dimension 'F' to confirm the tool will fit in the space between the edge of the nut and the neck of the flange.

Replacement blades for DNS nut splitters

Blade part number	For nut splitter
DNS404-B	DNS404
DNS506-B	DNS506